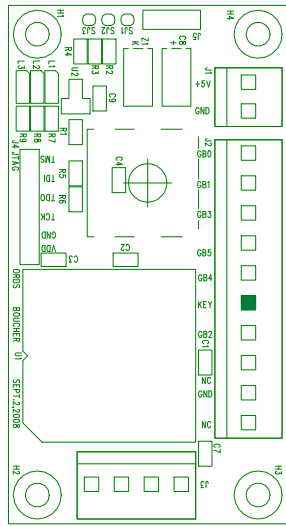
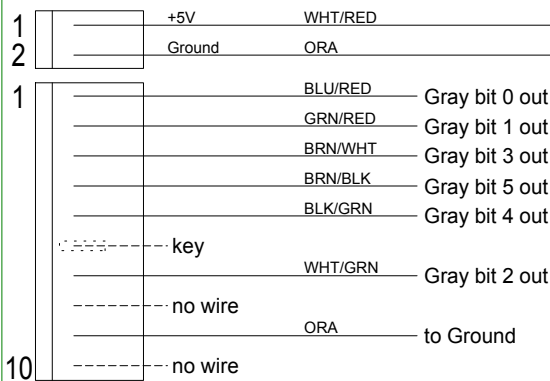


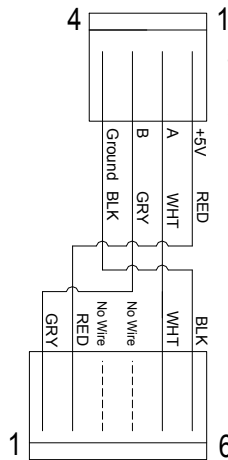
ORDS Board
Viewed chip up, encoder down



New power connector harness
connector with ramp up.
22g wire length 3.5"

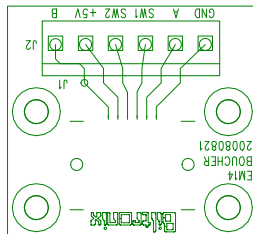


Original game control panel harness
angle data connector with ramp up.

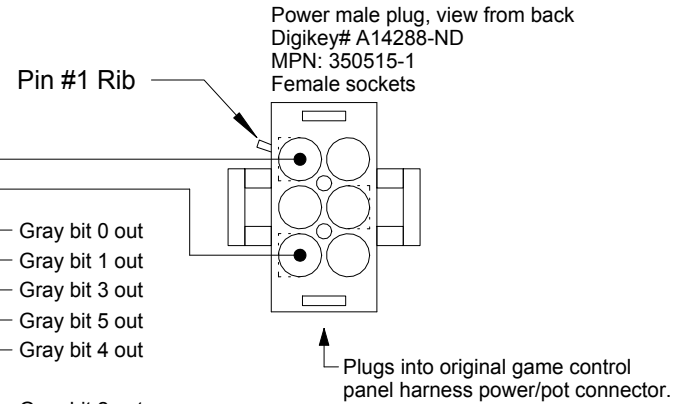


4-position 0.156" rectangular housing with ramp up
Digikey# A19952-ND, Tyco #: 640250-4
or Digikey#WM2102-ND, Molex #: 09-50-3041
22g wire length 18"

6 position 0.156" rectangular housing with ramp up
Molex/Waldom # 09-50-3101, Digikey # WM2108-ND
Trifurcon terminal 08-52-0125, Digikey # WM2314-ND
Key plug 640254-1, Digikey # A19994-ND



EM14 Board
Viewed pins up, encoder down



The ORDS PCB supports an onboard optical encoder in which case the encoder mounts in the original control panel pot hole using a threaded bushing and nut that supports both the encoder and the PCB.

Optionally, the PCB can be provided without the onboard encoder such that it can be mounted where desired and then connected by wiring harness to a separate encoder.

Only one encoder can be used at a time. The ORDS board cannot be connected to an external encoder when it has the onboard encoder installed.

| | |
|-----------|-----------------------------------------------------------------------------------------------------------------------------------|
| Comments: | These wiring harnesses connect the ORDS board to the original Omega Race upright machine control panel wiring harness connectors. |
| Filename: | ORDS_Omega_Race_Digital_Spinner_Wiring.CAD |

| | | | | |
|-----------------------------------------------------------|------------------------------------|---------------|--------|--|
| Company: | Biltronix | | | |
| Project: | ORDS Omega Race Digital Spinner | | | |
| Title: | Wiring Harness Adapters | | | |
| DRAWING NO: ORDS_Omega_Race_Digital_Spinner_Wiring.CAD | | | | |
| Drawn By: | Created: | Revised: | Sheet: | |
| William J. Boucher | Oct. 19, 2008 | Oct. 19, 2008 | 1 OF 1 | |