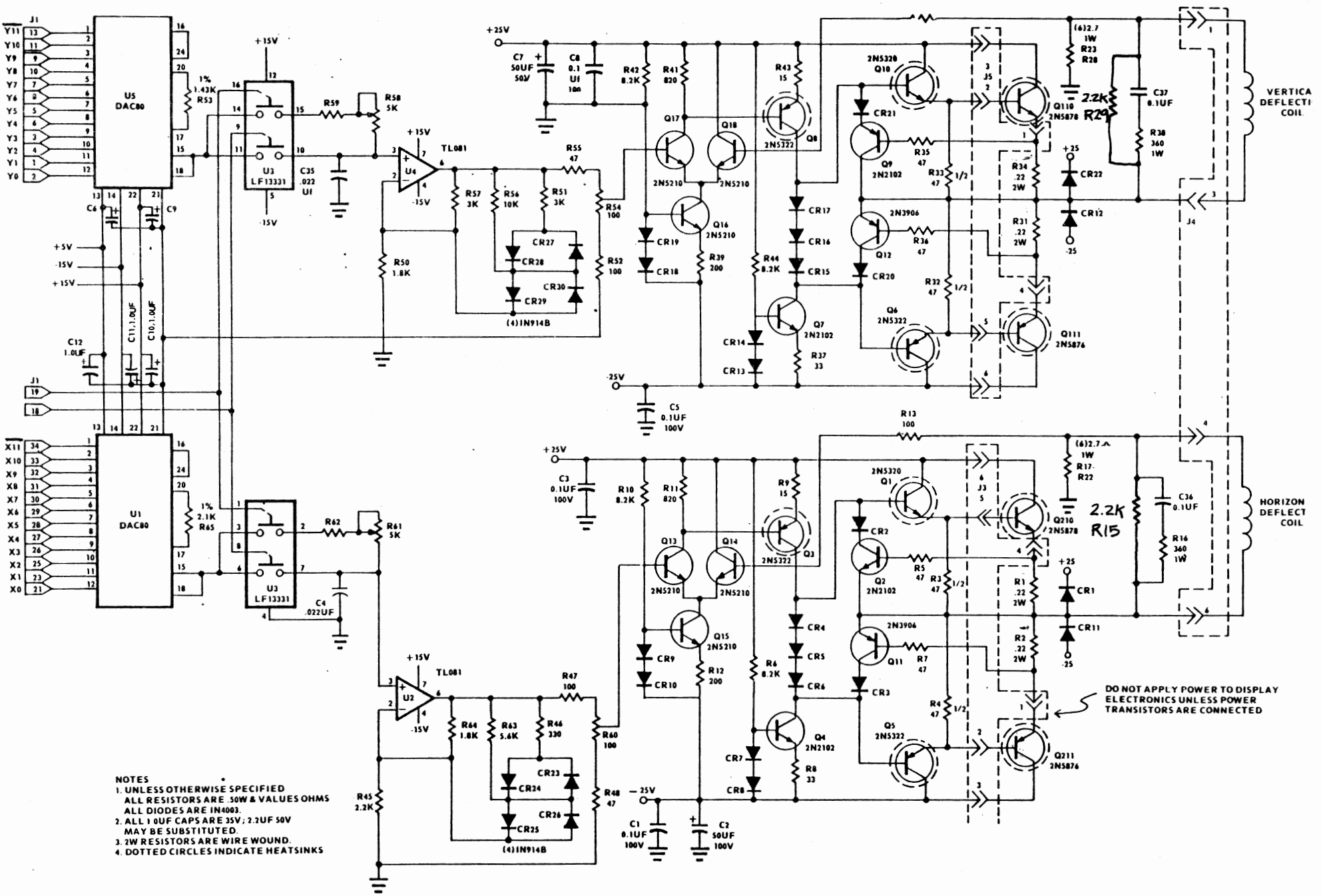


Figure A-1 Display Electronics (X and y deflection circuits)



- NOTES
1. UNLESS OTHERWISE SPECIFIED ALL RESISTORS ARE .50W & VALUES OHMS
 2. ALL 1.0UF CAPS ARE 35V; 2.2UF 50V MAY BE SUBSTITUTED.
 3. 2W RESISTORS ARE WIRE WOUND.
 4. DOTTED CIRCLES INDICATE HEATSINKS