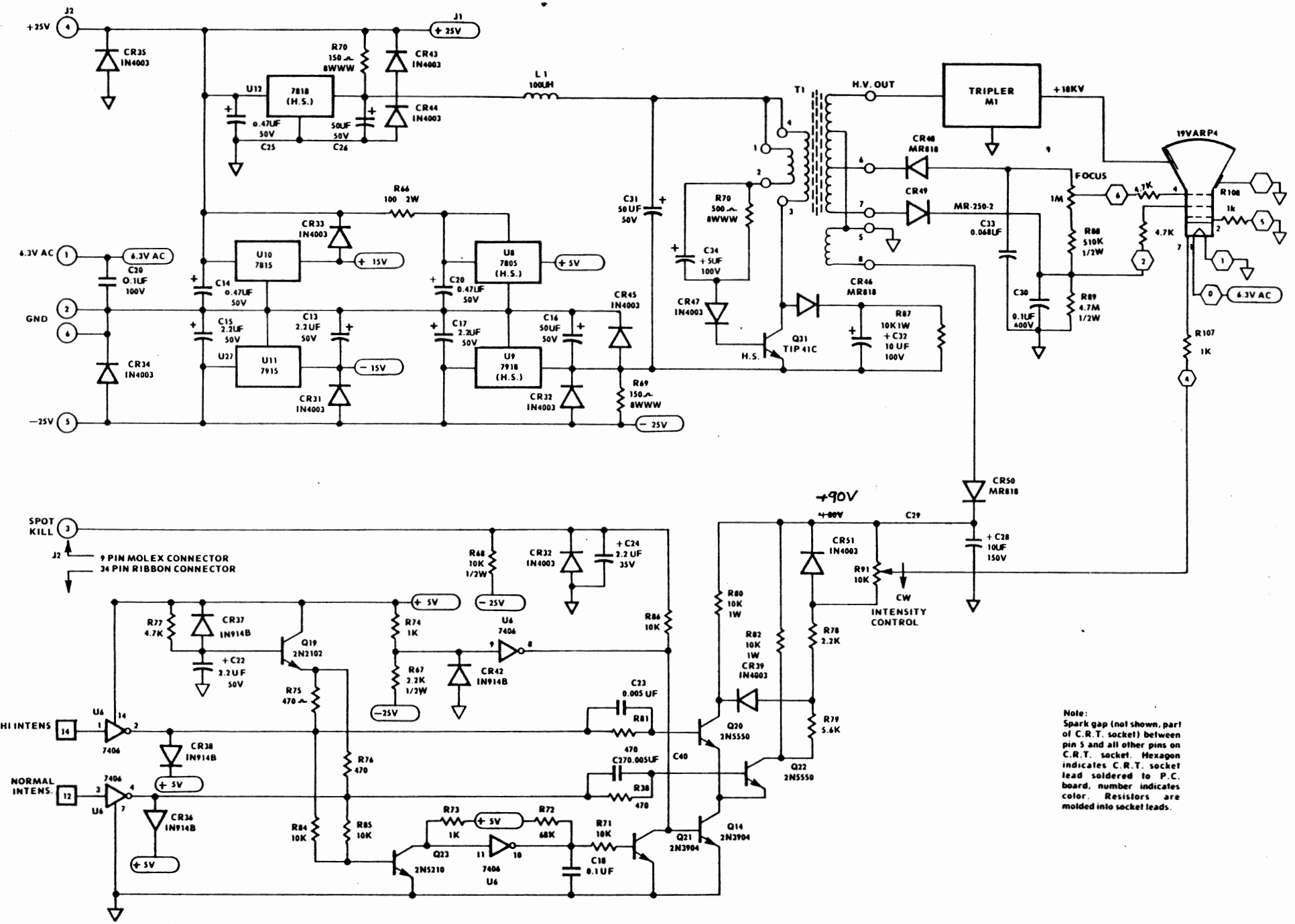


Figure A-2 Display Electronics (Power supply and Intensity Modulation circuits)



Note: Spark gap (not shown, part of C.R.T. socket) between pin 5 and all other pins on C.R.T. socket. Hexagon indicates C.R.T. socket lead soldered to P.C. board, number indicates color. Resistors are molded into socket leads.