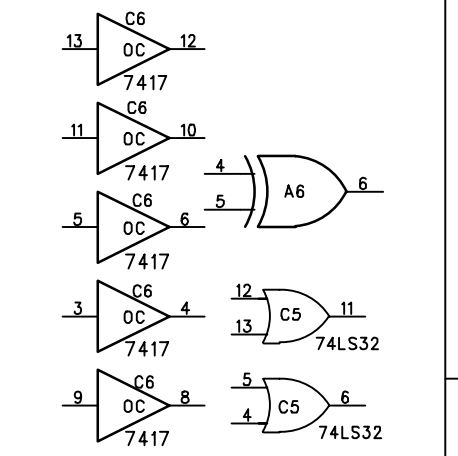
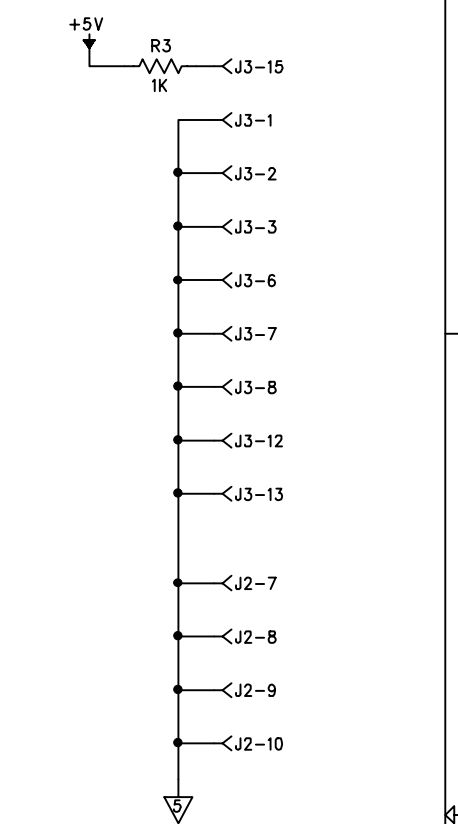


REVISIONS	
SEE SHEET 1	



TITLE		
SCHEMATIC		
CINEMATRONICS EXORCISOR		
SIZE	DRAWING NO.	REV
D		A
DATE	SHEET:	

Note: Signatures shown within single quote marks.